

KEY FEATURES

- To be used with Mirage MR and MRY milling rails of up to 3000mm (118”) length
- Modular jointing system to extend up to 10m
- Linear rail and precision carriages
- Quick set up with jacking system
- Auto and manual feed
- Optional quick-set magnets for mounting
- Manual and auto-feed available in either pneumatic or hydraulic

DESCRIPTION

The GMRF Gantry System is a modular linear rail kit to convert Mirage 2 axis milling rails to a large 3 axis milling equipment with a large working area. The Y-axis is determined by the length of the milling rail used and the X-axis by the number of extension rails used.

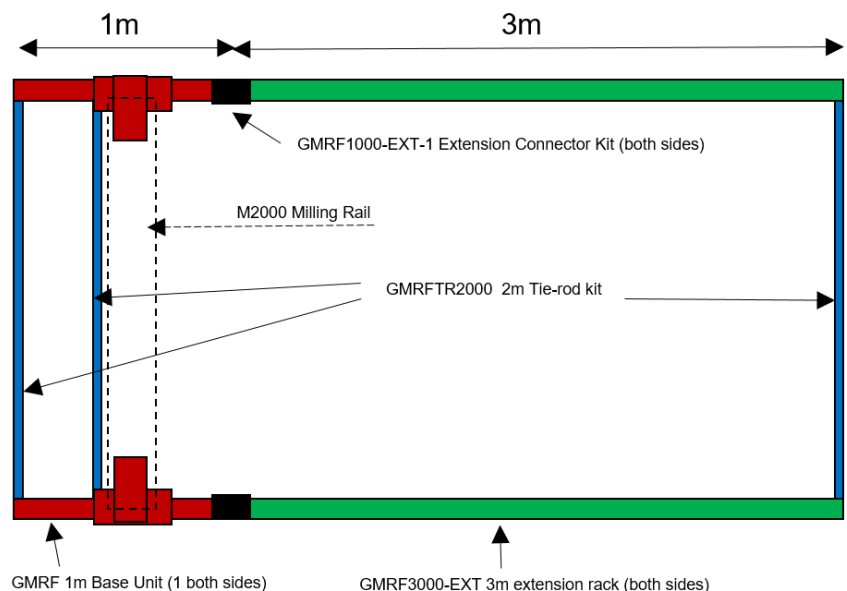
APPLICATIONS

Typical uses include; machining pump and motor pads, steel mill stands, ship building applications, and machining turbine split lines.

CONFIGURE YOUR GANTRY

1. Identify milling rail stroke required from 1000mm, 1500mm, 2000mm, and 3000mm.
2. Choose GMRF Base Kit and select either pneumatic, hydraulic or manual feed.
3. Choose tie-rod size to suit milling rail length
4. Choose extension configuration to suit your projects, including the number of extension connector kits required.
5. Consider optional accessories required such as quick-set mounting magnets.

EXAMPLE GANTRY CONFIGURATION 2000MM X 4000MM

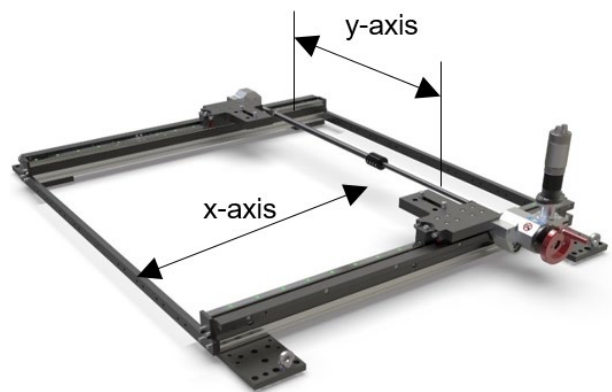
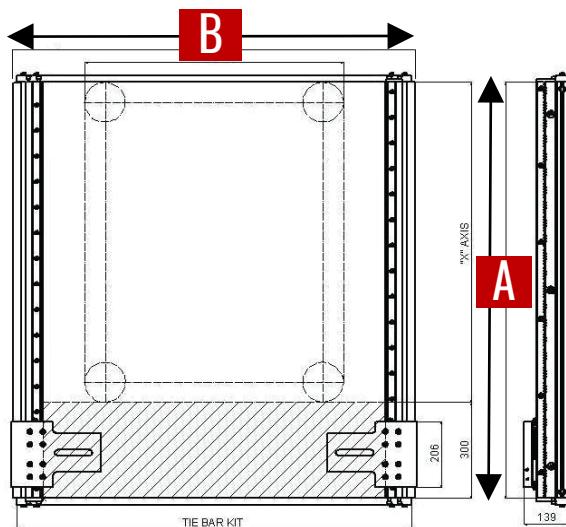


Extension Configurations: X-axis (A)

Stroke Required	Base Kit Required	Recommended Extension Kits	Dimension A	
			mm	Inches
1000mm	1 x GMRF Base Kit	-	1300	51"
2000mm	1 x GMRF Base Kit	1 x 1000mm extension kit	2298	90"
3000mm	1 x GMRF Base Kit	1 x 2000mm extension kit	3295	129"
4000mm	1 x GMRF Base Kit	1 x 3000mm extension kit	4292	168"
5000mm	1 x GMRF Base Kit	2 x 2000mm extension kits	5290	208"
6000mm	1 x GMRF Base Kit	1 x 2000mm extension kit and 1 x 3000mm extension kits	6287	247"
7000mm	1 x GMRF Base Kit	2 x 3000mm extension kits	7284	286"
8000mm	1 x GMRF Base Kit	2 x 2000mm extension kits and 1 x 3000mm extension kit	8282	326"
9000mm	1 x GMRF Base Kit	4 x 2000mm extension kits	9280	365"
10000mm	1 x GMRF Base Kit	3 x 3000mm extension kits	10276	404"

Milling Rail Lengths: Y-axis (B)

Name	Stroke (mm)	Stroke (inches)	Base Kit Required	Tie-rod Kit Required	Dimension B (Overall Width)	
MR1000	1000mm	39"	GMRF1000	GMRFTR1000	1420mm	56"
MR1500	1500mm	59"	GMRF1000	GMRFTR1500	1920mm	76"
MR2000	2000mm	79"	GMRF1000	GMRFTR2000	2420mm	95"
MR3000	3000mm	118"	GMRF1000	GMRFTR3000	3420mm	135"



INCLUDED AS STANDARD

Product	Items Supplied as Standard
GMRF1000H (Hydraulic) Base Unit	2 off linear rails and blocks, sub frame, rack feed, gear box, carriage and auto feed gearbox and motor, mounting plates, manual, tool kit, CE certification. Shipping and storage box. Hose connection.
GMRF1000A (Pneumatic) Base Unit	2 off linear rails and blocks, sub frame, rack feed, gear box, carriage and auto feed gearbox and motor, mounting plates, manual, tool kit, CE certification. Shipping and storage box. Air filter lubricator and hose connection.
GMRF1000M (Manual Feed) Base Unit	2 off linear rails and blocks, sub frame, rack feed, gear box, carriage and manual feed, mounting plates, manual, tool kit, CE certification. Shipping and storage box.
GMRF EXTENSION KITS	2 off linear rails and blocks, sub frame, mounting & jointing plates, sub frame jointing sections and clamp, shipping and storage box.

EXTENSION KITS (X AXIS) SHIPPING WEIGHTS AND DIMENSIONS

Stroke	Dimensions – L x W x H	Shipping Weights	
1000	40" 150cm (60") x 50cm (20") x 30cm (12")	142 kg	312 lb
2000	80" 150cm (60") x 50cm (20") x 60cm (24")	284 kg	625 lb
3000	120" 250cm (98")x 50cm (20") x 60cm (24")	393 kg	865 lb
4000	157" 350cm (138") x 50cm (20") x 60cm (24")	502 kg	1104 lb
5000	197" 250cm (98") x 100cm (40") x 60cm (24")	644 kg	1417 lb
6000	236" 350cm (138") x 100m (40") x 50cm (24")	753 kg	1657 lb
7000	275" 350cm (138") x 100cm (40") x 60cm (24")	862 kg	1896 lb
8000	315" 350cm (138") x 50cm (20") x 60cm (24")	1004 kg	2209 lb
9000	354" 350cm (138") x 150cm (60") x 60cm (24")	1146 kg	2521 lb
10000	394" 350cm (138") x 150cm (60") x 60cm (24")	1222 kg	2688 lb

MILLING RAIL (Y AXIS) SHIPPING WEIGHTS AND DIMENSIONS

Machine	Stroke	Dimensions	Shipping Weights
MR1000	1000mm	39" 280cm (110") x 68cm (27") x 56cm (22")	295kg (650 lbs)
MR1500	1500mm	59" 280cm (110") x 68cm (27") x 56cm (22")	380kg (838 lbs)
MR2000	2000mm	79" 280cm (110") x 68cm (27") x 56cm (22")	470kg (1036 lbs)
MR3000	3000mm	118" 385cm (152") x 68cm (27") x 56cm (22")	508 kg (1120 lbs)

All weights and dimensions approximate for guidance only and dependant upon options and additional items chosen.