

KEY FEATURES

- Hydraulic Clamp and auto-feed
- Models available to cut 6” - 102” OD Pipe
- Powerful Hydraulic Drive Wheel
- ROV and Diver Compatible
- Strong Aluminium Frame
- Available with optional flotation modules for deep water use

DESCRIPTION

The MDWS range of machines use abrasive cutting technology that is extremely effective in different subsea environments and is ideal for quick cutting through dissimilar materials and resisting compressive forces. The machines can also be used topside when coolant is applied, but are not considered a true cold-cutting method when used for surface operations.

APPLICATIONS

Designed for underwater cutting of items such as multistring casings, pipelines, piles, platform legs and wellheads. The wire cutter allows circular cutting on all sides, preventing the wire from getting pinched on materials that would otherwise damage lathe and mill type tooling

	MDWS620	MDWS1638	MDWS3660	MDWS6084	MDWS48102
Cutting capacity	6-20" (152-508mm)	16-38" (406-965mm)	36-60" (914-1524mm)	60-84" (1422-2032mm)	48-102" (1220-2591mm)
Feed stroke	26" (660mm)	44" (1117mm)	66" (1676mm)	90" (2286mm)	104" (2642MM)
Clamping	Hydraulic			Chain	
Length	85" (2159mm)	102" (2590mm)	143" (3632mm)	180" (4572mm)	158" (4020mm)
Width	60" (1524mm)	75" (1905mm)	105" (2667mm)	142" (3606mm)	135" (3429mm)
Height	30" (762mm)	30" (762mm)	30" (762mm)	30" (762mm)	30" (762mm)
Weight in air	912 lb (413kg)	1,250 lb (566kg)	1,885 lb (855kg)	2,285 lb (1036kg)	2,248 lb (1022kg)
Weight in salt water	520 lb (235kg)	595 lb (269kg)	1,243 lb (536kg)	1,645 lb (746kg)	1,573 lb (715kg)

INCLUDED AS STANDARD WITH MACHINE

Each machine is supplied complete with the following items;

- ✓ Diamond wire rope
- ✓ Toolkit
- ✓ Storage / shipping crate
- ✓ CE certificate
- ✓ Packing list and manual

SET UP AND OPERATION

The operator must be:

- Trained and conversant with the product
- Able to identify the correct and incorrect use of static or portable machines.
- Comply with all local and internationally recognised regulations regarding safe use of powered machines.

OPTIONAL ITEMS YOU MAY ALSO NEED

- Hydraulic power unit
- Hydraulic control panel
- Six pass hydraulic hose reels
- ROV compatible hot stab system (available for purchase or hire)
- Deployment basket (made to order)
- Consumables, such as extra diamond wire ropes
- Flotation

The Mirage MDWS range of diamond wire saws are available in deep water configurations. Each are equipped with two modular buoyancy modules and are rated up to 10,000ft (3,000m) water depth.

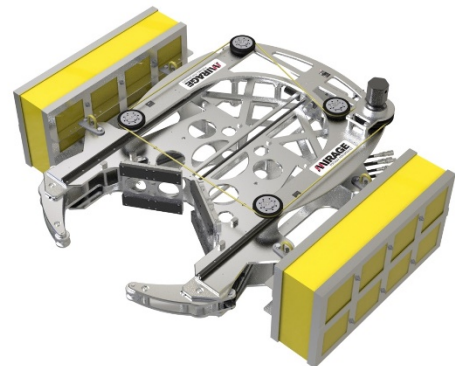
SHIPPING WEIGHTS

	kg	lb
MDWS620	649kg	1,431 lb
MDWS1638	784kg	1,550 lb
MDWS3660 Box 1	860kg	1,896 lb
MDWS3660 Box 2	980kg	2,161 lb
MDWS6084	Details on request	
MDWS48102	Details on request	

SHIPPING DIMENSIONS

	Length	Width	Height
MDWS620	243cm (97")	178cm (71")	106cm (42")
MDWS1638	247cm (97")	228cm (90")	107cm (42")
MDWS3660 Box 1	407cm(160")	197cm (78")	121cm (48")
MDWS3660 Box 2	407cm (160")	197cm (78")	121cm (48")
MDWS6084	Details on request		
MDWS48102	Details on request		

Weights and dimensions are approximate and provided for guidance only.



Above: The Mirage Deepwater Diamond Wire Saw