

## **LB100 Line boring machine**

**(6 – 36") diameters**



A precision heavy duty line boring machine for stern tubes, rudder bores, hinge pins, gearboxes, turbines and many more applications.

- **Pneumatic or hydraulic helical drive**  
*High torque transfer with smooth power delivery*
- **Hollow hard chrome precision bar**  
*Reduced bar weight (sag) and assists laser alignment*
- **Infinitely variable auto feed**  
*Capable of cutting all materials*
- **Adjustable boring arms**  
*Quick set up and high torque transfer to the cutting tool*
- **Internal/external self aligning mounts**  
*Quick set up with spherical bearing out of alignment built in*

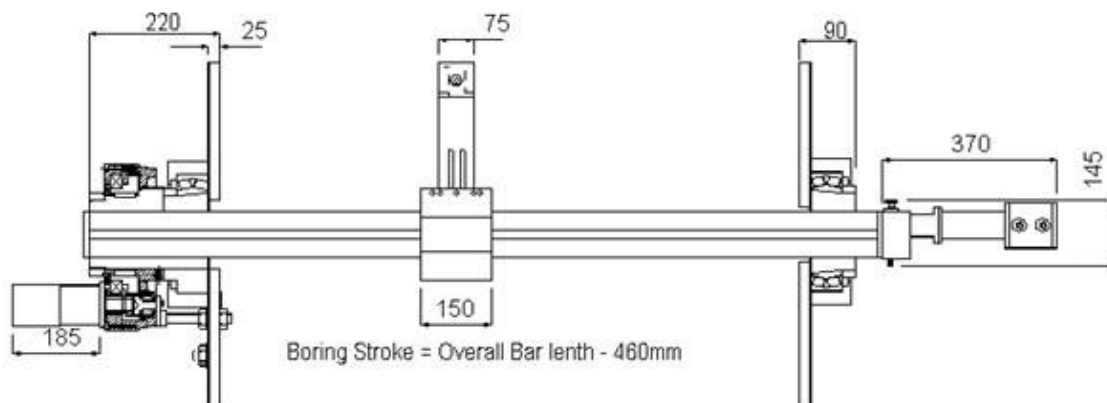
# Technical Details

RANGE		
Min. Boring diameter (Ø100mm bar)	152mm	6"
Maximum Boring diameter	915mm	36"
Standard boring bar length supplied	4000mm	157"
Maximum bar length	7500mm	296"
Bar R.P.M – standard	Min 5	130
Drive – Pneumatic @ 90 p.s.i (6 bar)	4.0 Hp	3.0 Kw
Feed – Pneumatic @ 90 p.s.i (6 bar)	1.5 Hp	1.11 Kw
Drive – hydraulic @ 1050 psi (70 bar)	5.0 Hp	3.7 Kw
Feed – hydraulic @ 1050 psi (70 bar)	2.2 Hp	1.64 Kw
Air Consumption / supply required	98 s.c.f.m	2.69 m3/m
Hydraulic supply required	50 L/min	13 gal/min

FEED RATES		
Boring Feed rate – infinitely variable	0 - 25mm/min	0 - 1.0"/min
Hand feed / revolution	2.0mm	0.078"

WEIGHTS AND DIMENSIONS		
Machine weight	416 kg	915 lbs
Shipping weight inc. standard bar	516 Kg	1135 lbs

Shipping dimensions	L - 100cm (40") L - 415cm (163")	W - 100cm (40") W - 30 (12")	H- 50m (20") H - 30cm (12")
---------------------	-------------------------------------	---------------------------------	--------------------------------



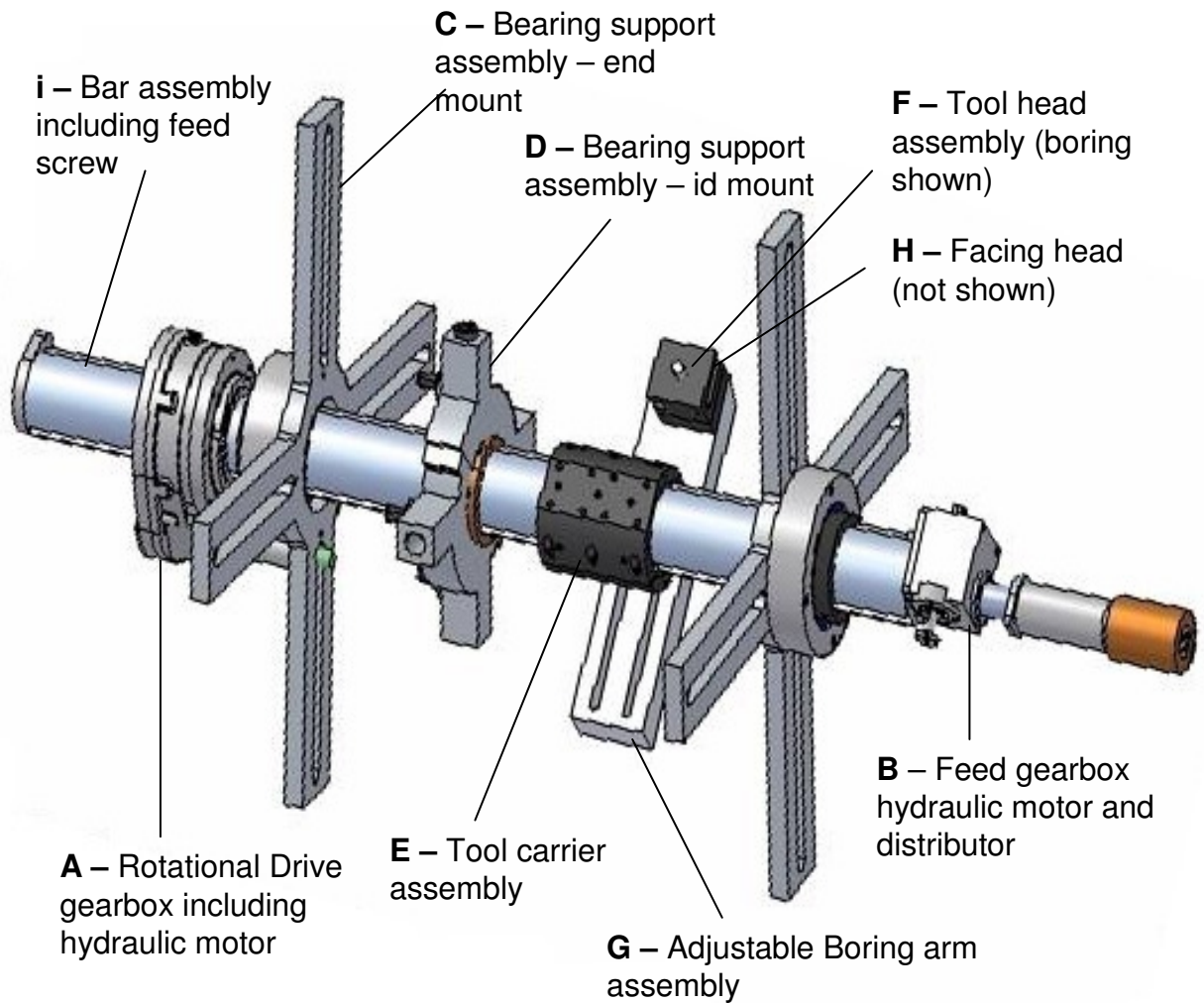
Standard supply:- toolkit, tools and inserts and toolbox, air filter lubricator and hose connection (where required), 2 off four leg mounting plates with self aligning bearings, adjustable arms, feed gearbox & motor, drive gearbox & motor, distributor, storage / shipping box, CE certificate, Packing list and Manual

10 Enterprise Way, Jubilee Parkway. DERBY DE21 4BB. UK

Tel: +44 (0)1332 291767 Fax: +44 (0)1332 370356

Email: [sales@miragemachines.com](mailto:sales@miragemachines.com) [www.miragemachines.com](http://www.miragemachines.com)

# Component selection



	<b>Part No.</b>	<b>Description</b>
A	LB100-1	Rotational Drive & hydraulic motor
B	LB100- 2	Feed gearbox , hydraulic motor & distributor
C	LB100-3	(12 – 32”) End mount bearing support
D	LB100-4*	(18 – 36”) ID mount bearing support
E	LB100-5	Tool carrier assembly
F	LB100-6	(6 -15”) Tool post assembly & spacers
G	LB100-7	(15 – 36”) Adjustable boring arm set
H	LB100-8*	4” stroke facing head assembly & striker
i	LB100-9-3	Boring bar / feed screw assembly (suffix length m)

Items marked \* are optional all other items are standard supply

**CE Marked**

**Manufactured to ISO 9001-2008**